



PRODUCT BRIEF

AlphaPC 264DP Motherboard

Description

The AlphaPC 264DP Motherboard, along with the Alpha 21264 microprocessor, provides a new solution for high-end workstations and enterprise-class servers. Supporting up to 2 processors, each starting at 500MHz with 2 or 4MB of Late Write Cache per processor, the AlphaPC 264DP provides today's most powerful Windows NT and Linux solution available in the server and workstation markets.

Hardware Features

- AlphaPC 264DP supports up to Two Alpha 21264 microprocessor daughtercards, each containing:
 - A 2MB or 4MB, 128bit L2 Cache of Late-Write HSTL Synchronous Static RAM (SSRAM)
 - Processor speed starts at 500MHz
- Compaq 21272 Core Logic Chipset provides the interface to the CPUs, main memory and PCI buses at:
 - Up to 83MHz System Bus
 - Two 256bit Memory Bus
 - Two 64bit/33MHz PCI Bus
- 128MB to 4GB SDRAM Memory:
 - Four memory banks, each consisting of four 200pin DIMMs totaling 16 Slots
 - Supports 72bit ECC SDRAM
- PCI Bus Support (33MHz)
 - Six 64bit PCI Slots
 - 1 Shared ISA Slot
- Dual Channel Ultra-Wide SCSI 3 Controller
 - Integrated Adaptec AIC-7895
 - 2 connectors on-board
- PCI-to-ISA Bridge using a Cypress 82C693UB HyperCache chip
 - PCI IDE for two devices (PIO mode 4)
 - Keyboard/Mouse control and time-of-year clock
- Integrated ISA peripheral support:
 - SMC FDC37C665 combination controller chip provides diskette control (2.88MB), two serial port UARTs with modem control (550) and a parallel port.

Operating Systems

- Windows NT (Version 4.0 or Later)
- Linux for Alpha (Available mid 1999)

Documentation

- AlphaPC 264DP Motherboard Windows NT User's Manual

Software Features

- Windows NT Alpha BIOS firmware, supports the installation of Windows NT operating system (Version 4.0 or later)

Warranty

- One Year

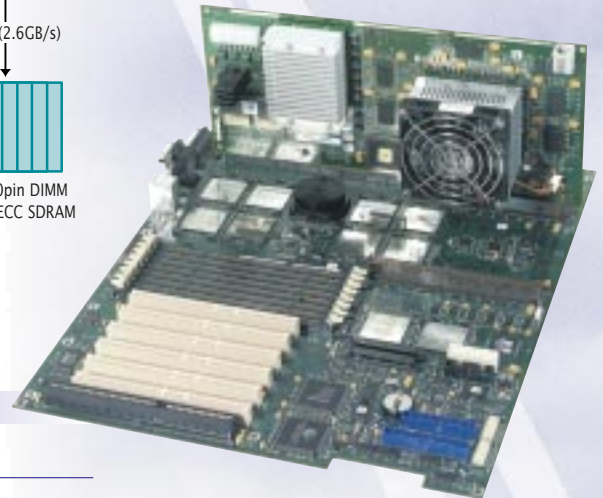
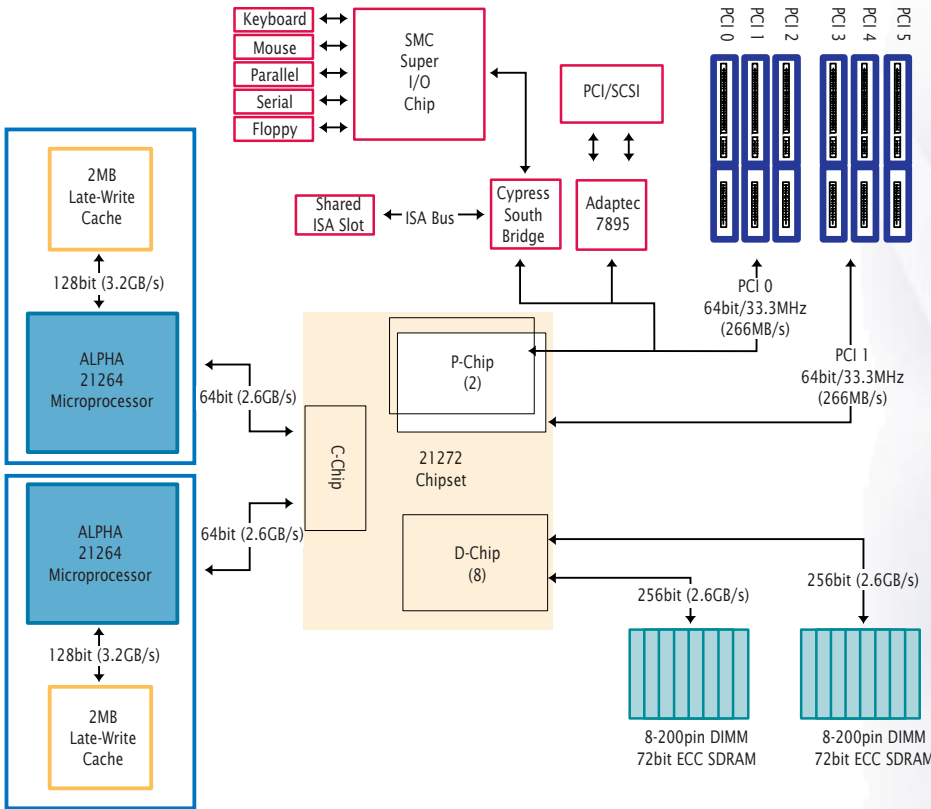
- AlphaPC 264DP Motherboard Technical Reference Manual

- Also supports Alpha SRM BIOS firmware for the installation of Digital UNIX



For More Information
Alpha Processor, Inc.
 A Samsung Company

130C Baker Avenue Extension
 Concord, MA 01742
 Tel: 1-978-318-1100
 Fax: 1-978-371-3177
 sales@alpha-processor.com
 info@alpha-processor.com
<http://www.alpha-processor.com>
<http://www.intl.samsungsemi.com>



CHARACTERISTICS

Power supply	630-Watt Minimum PC Power Supply
Operating Temperature	10° C to 35° C (50° F to 95° F)
Storage Temperature Range	-55° C to 125° C (-67° F to 257° F)
Dimensions	
Mainboard	42.11 cm x 33.02 cm (16.6 in x 13.0 in)
Daughtercard	30.48 cm x 14.99 cm (12.0 in x 5.9 in)

Product	Part Number
AlphaPC 264DP Motherboard and a Daughtercard with 500MHz CPU and 2MB L2 Cache	MB264DP2-500
AlphaPC 264 Daughtercard with 500MHz CPU and 2MB L2 Cache	264DC2-500
AlphaPC 264 Motherboard and a Daughtercard with 500MHz CPU and 4MB L2 Cache	MB264DP4-500
AlphaPC 264 Daughtercard with 500MHz CPU and 4MB L2 Cache	264DC4-500
Availability	February 25, 1999

While Alpha Processor, Inc. believes the information in this publication is correct as of the date of publication, it is subject to change without notice. Digital/Compaq Corporation creates this publication and owns its copyright.

© Alpha Processor, Inc. 1999

All rights reserved.

Samsung is a trademark of Samsung Electronics Inc.

Digital UNIX is a trademark of Compaq Corp.

Linux is a registered trademark of Linus Torvalds.

Windows NT is a trademark of Microsoft Corporation.

All other trademarks and registered trademarks are the property of their respective owners.